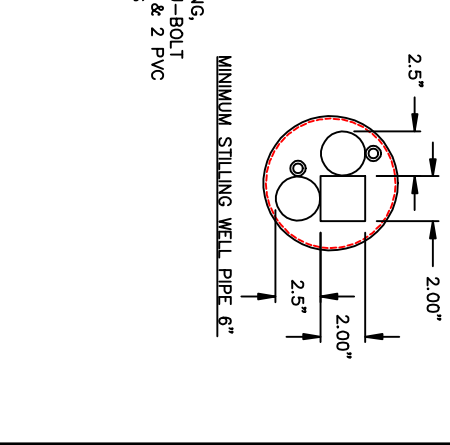
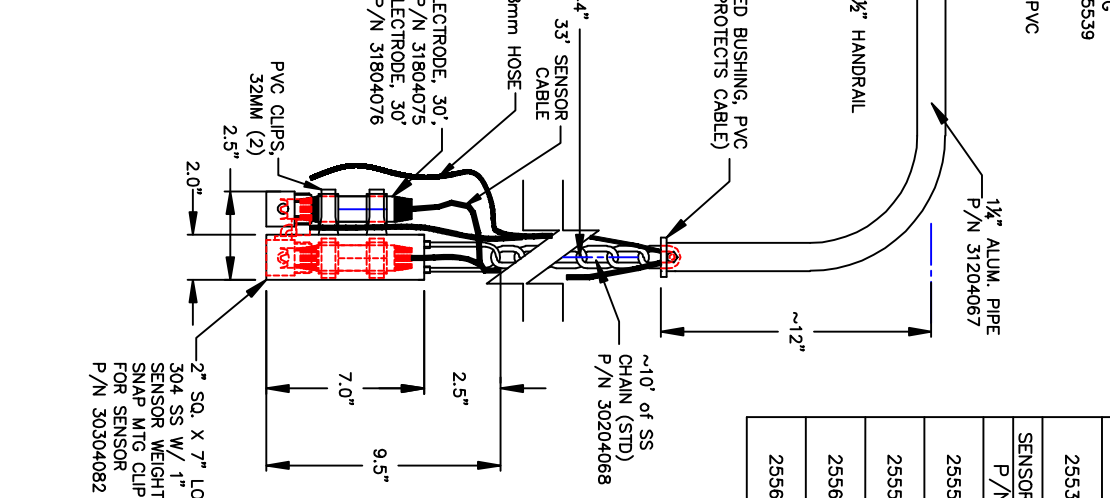
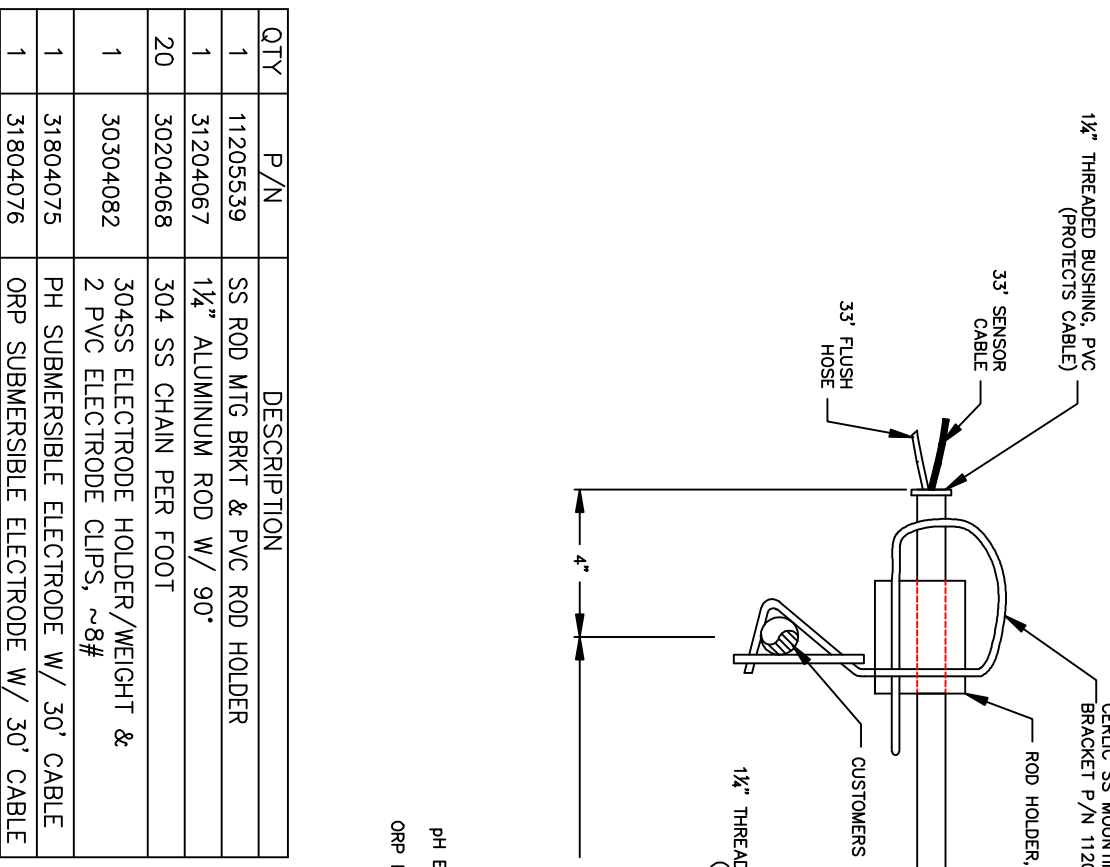


P/N	DESCRIPTION
25533	PHX W/ BB2, 10' SS CHAIN, WEIGHT & MTG BRKT
25538	REX W/ BB2, 10' SS CHAIN, WEIGHT & MTG BRKT
SENSOR ADDERS	
P/N	DESCRIPTION
25553	PHX SUBMERSIBLE SENSOR W/ 10' SS CHAIN, WEIGHT & MTG BRKT
25554	PHX SUBMERSIBLE SENSOR ADDED TO 25558 REX/BB2 WT. ASSM.
25563	REX SUBMERSIBLE SENSOR W/ 10' SS CHAIN, WEIGHT & MTG BRKT
25564	REX SUBMERSIBLE SENSOR ADDED TO 25553 PHX/BB2 WT. ASSM.



QTY	P/N	DESCRIPTION
1	11205539	SS ROD MTG BRKT & PVC ROD HOLDER
1	31204067	1 1/4" ALUMINUM ROD W/ 90°
20	30204068	304 SS CHAIN PER FOOT
1	30304082	304SS ELECTRODE HOLDER/WEIGHT & 2 PVC ELECTRODE CLIPS, ~8#
1	31804075	PH SUBMERSIBLE ELECTRODE W/ 30' CABLE
1	31804076	ORP SUBMERSIBLE ELECTRODE W/ 30' CABLE

Cerlic
 Cerlic Environmental Controls, Inc
 P.O. Box 420097
 Atlanta, GA 30342
 Phone (404) 256-3097
 Fax (404) 256-3094

SUBMERSIBLE PH/ORP ELECTRODE
 W/ CHAIN MOUNT & HANDRAIL BRKT
 -SBR MOUNTING-
 DRAWING NUMBER 130B
 LAST REV. DATE 02/09/09
 SCALE 1/8

REV	DATE	BY	CHKD
1	04/27/03	JR	
2			
3			
4			
5			
6			
7			