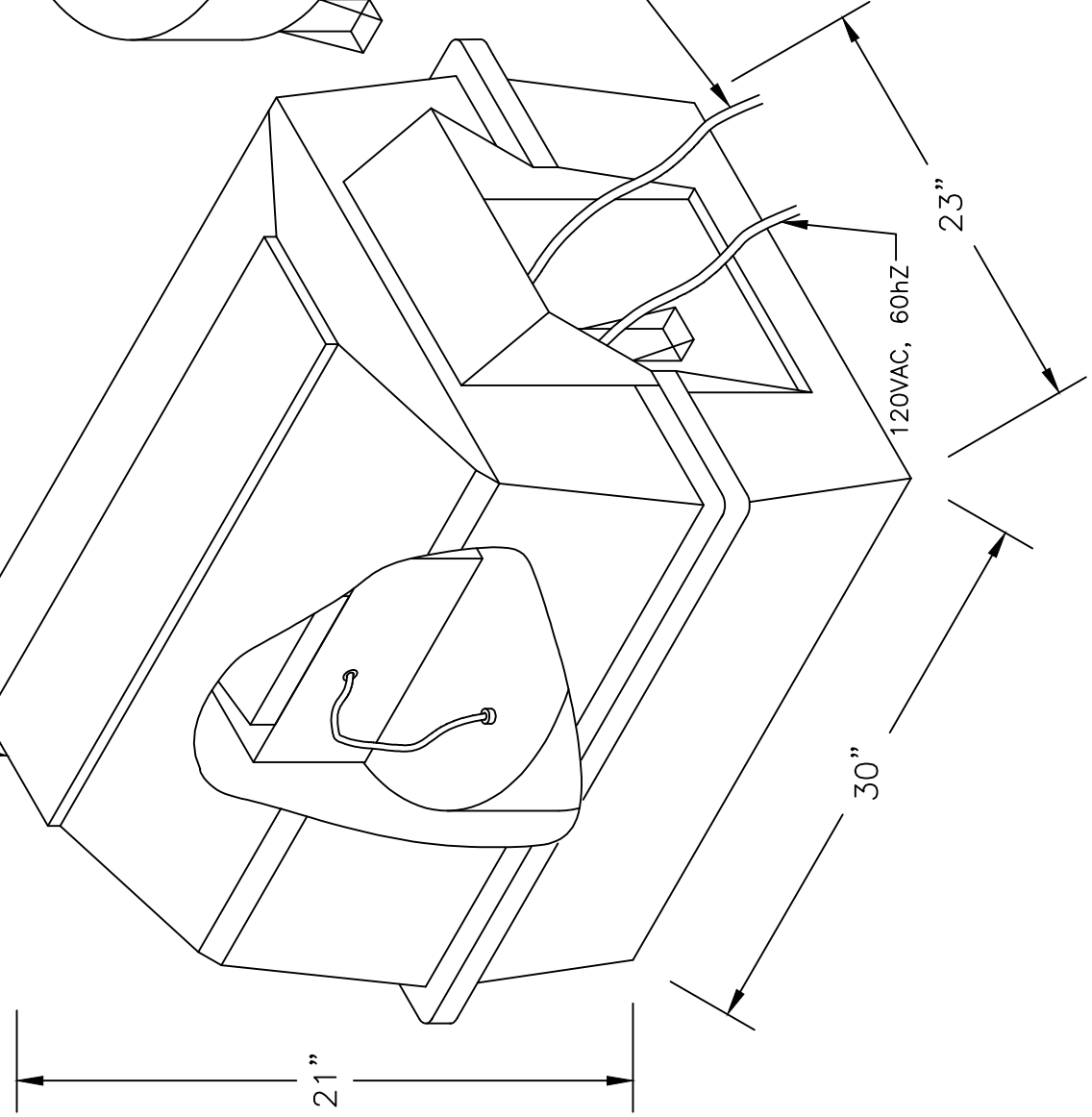


COMPRESSOR - 1.1HP, 8 AMP, 120/1/60
 18" ϕ X 18" HIGH, 2.8 CFM @ 40 PSI
 6 GALLON TANK, P/N 31704060

ENCLOSURE/DOGHOUSE, PVC
 P/N 31204081



120VAC, 60Hz

Cerlic Environmental Controls, Inc
 P.O. Box 420097
 Atlanta, GA 30342
 Phone (404) 256-3097
 Fax (404) 256-3094



COMPRESSOR & PVC ENCLOSURE
 HITACHI OR PORTER
 CABLE COMPRESSOR
 DRAWING NUMBER 142
 LAST REV. DATE 05/26/16
 SCALE

REV.	DATE	DESCRIPTION	REVISIONS
1	09/15/04	JLT DRAWN BY	1
2		JR CHECKED BY	2
3			3
4			4
5			5
6			6
7			7