

SS CHAIN W/CLEVIS BY CERLIC

4" OR 6" PVC PIPE, SCH 80 W/SS WALL STRAPS PERFORATED PIPE (PREFERRED)

2.0"

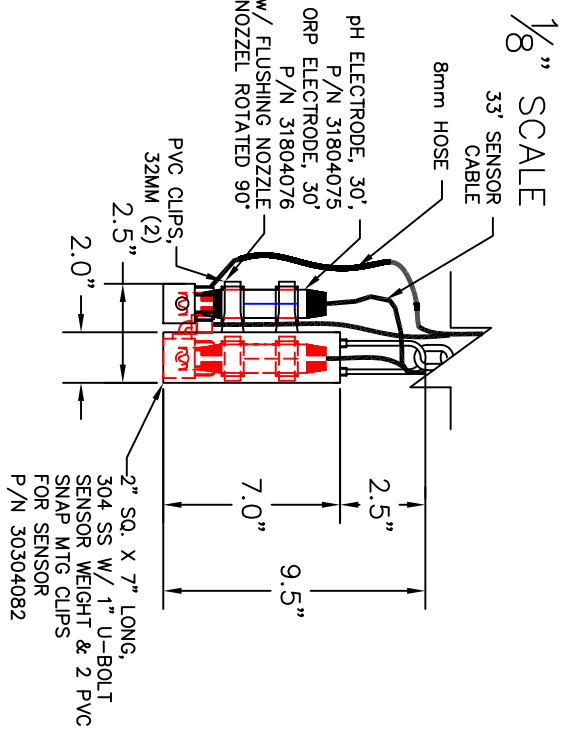
1.00"

O2X SENSOR

~6"

3/8" OR 1/2" SS BOLT

PH/ORP SENSOR



1/8" SCALE

33' SENSOR CABLE

8mm HOSE

pH ELECTRODE, 30', P/N 31804075

ORP ELECTRODE, 30', P/N 31804076

W/ FLUSHING NOZZLE NOZZEL ROTATED 90°

PVC CLIPS, 32MM (2)

2.5"

2.0"

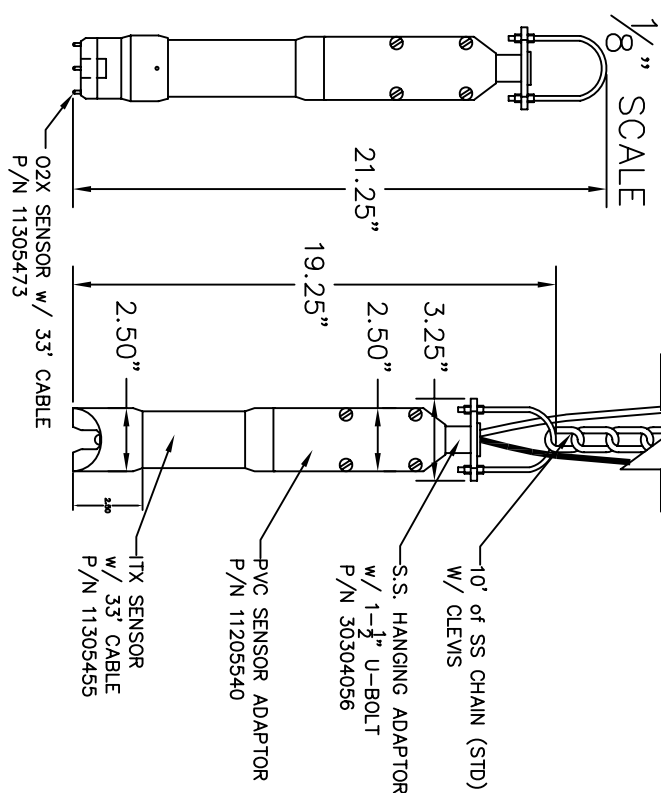
2.5"

7.0"

9.5"

2" SQ. X 7" LONG, 304 SS W/ 1" U-BOLT SENSOR WEIGHT & 2 PVC SNAP MTG CLIPS FOR SENSOR P/N 30304082

O2X/ITX SENSOR



1/8" SCALE

21.25"

19.25"

3.25"

2.50"

2.50"

2.50"

O2X SENSOR w/ 33' CABLE P/N 11305473

ITX SENSOR w/ 33' CABLE P/N 11305455

PVC SENSOR ADAPTOR P/N 11205540

SS. HANGING ADAPTOR w/ 1-1/2" U-BOLT P/N 30304056

10' of SS CHAIN (STD) W/ CLEVIS



Cerlic Environmental Controls, Inc

P.O. Box 420097  
 Atlanta, GA 30342  
 Phone (404) 256-3097  
 Fax (404) 256-3094

02X/ITX SENSOR OR PH/ORP ELECTRODE W/WEIGHT IN STILLING WELL/PIPE

DRAWING NUMBER 143

LAST REV. DATE 08/13/05

SCALE NOTED

NO.	REV.	DATE	BY	CHKD.	APP'D.
1			JRT		
2		07/03/03	JRT		
3			JRT		
4			JRT		
5			JRT		
6			JRT		
7			JRT		