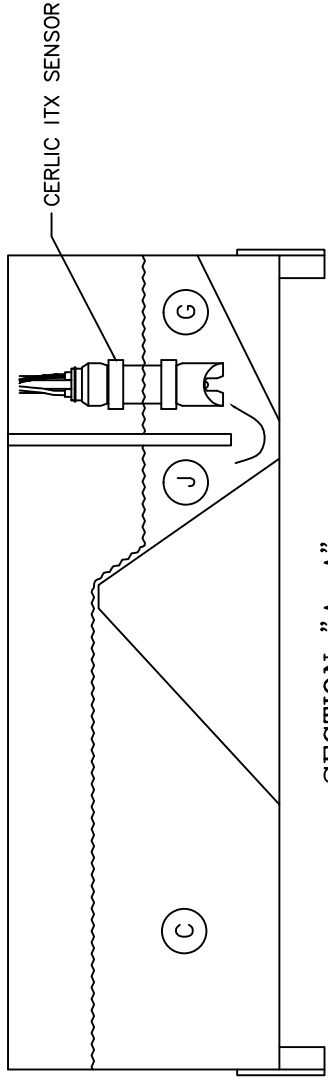
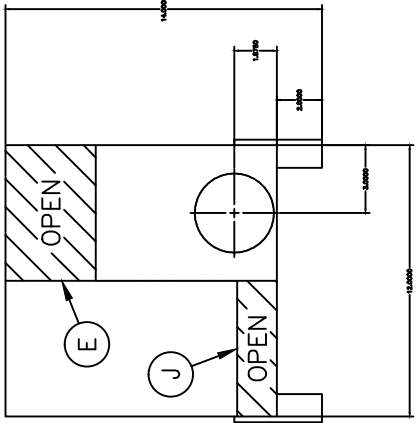


**SECTION "C-C"**



**SECTION "A-A"**

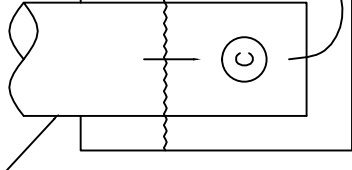
CUSTOMERS - BELT PRESS FILTRATE LINE

**CERLIC ITX DEGASSING TANK  
1/8" 304 SS PLATE**

- C - FILTRATE LINE INTO DEGASSING CHAMBER MOUNT NO MORE THAN 2" FROM FLOOR
- D - SENSOR SAMPLING CHAMBER
- E - EXCESS LIQUID & FOAM OVERFLOW TO DRAIN CHAMBER
- G - SAMPLING CHAMBER OVERFLOW TO DRAIN CHAMBER
- H - DRAIN CHAMBER WITH 3" NPT DRAIN
- J - SAMPLING CHAMBER INLET

**THEORY:**

LIQUID ENTERS THE DEGASSING CHAMBER (C), ROLLS OVER PYRAMID TO EITHER GO DOWN INTO THE SAMPLING CHAMBER (G) THROUGH ENTRANCE (J), OR GOES OVER EXCESS LIQUID WEIR (E). ALL LIQUID LEAVES THROUGH THE 3" HORIZONTAL DRAIN PIPE.



**SECTION "B-B"**

Cerlic Environmental Controls, Inc  
 P.O. Box 420097  
 Atlanta, GA 30342  
 Phone (404) 256-3097  
 Fax (404) 256-3094



CERLIC SAMPLE TANK  
 1-02X / ITX SENSOR

DRAWING NUMBER 162  
 LAST REV. DATE 10/06/15  
 SCALE NTS

REV.	DESCRIPTION	DATE
1	WCM	
2	DRAWN BY	
3	05/28/14	
4	JR	
5	CHECKED BY	
6		
7	APPROVED BY	