

Cerlic CBX Sludge Blanket Monitor  
Bottom Plate

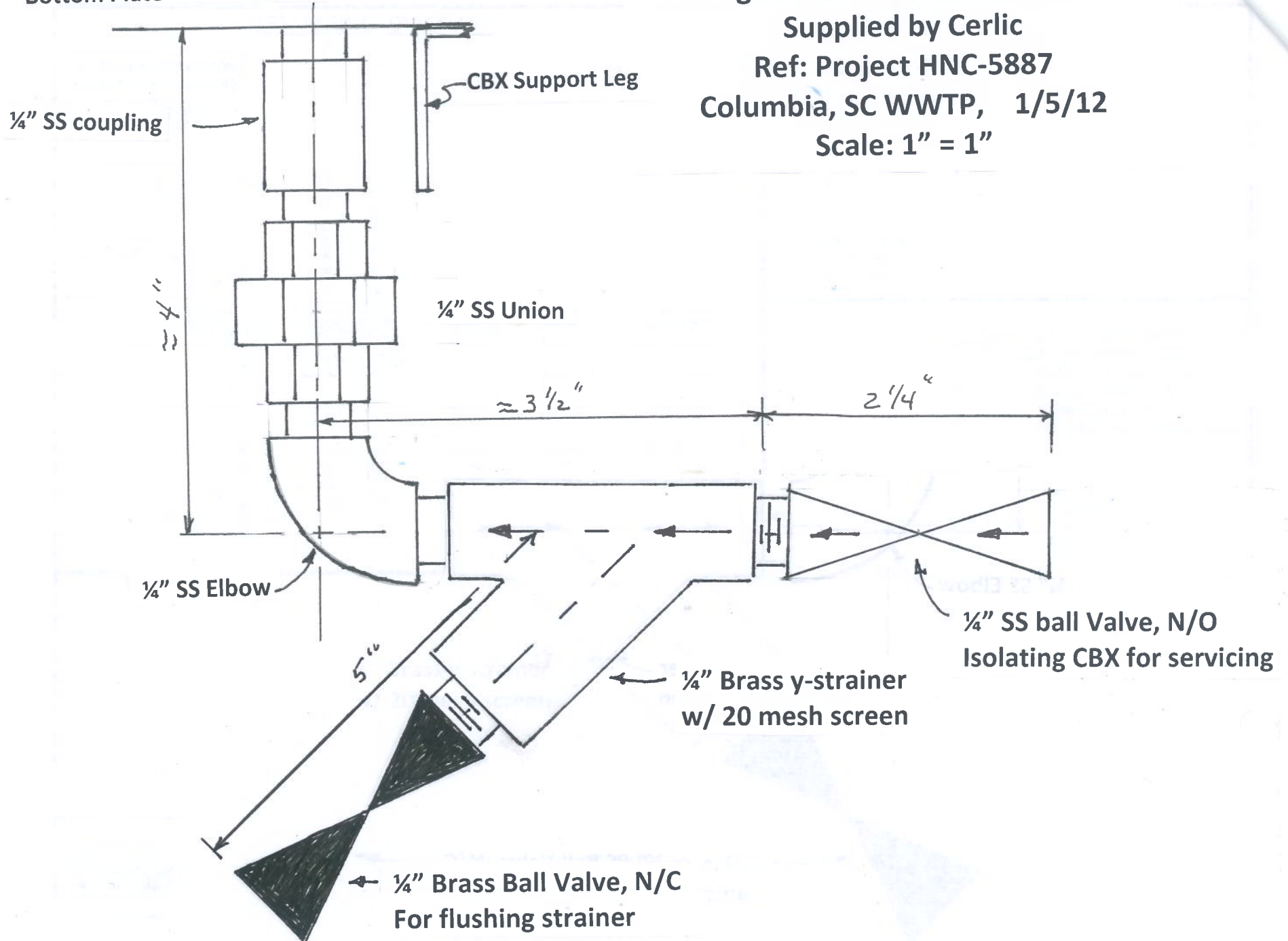
Flushing Water Strainer & Union Detail

Supplied by Cerlic

Ref: Project HNC-5887

Columbia, SC WWTP, 1/5/12

Scale: 1" = 1"



Revised 7/26/12